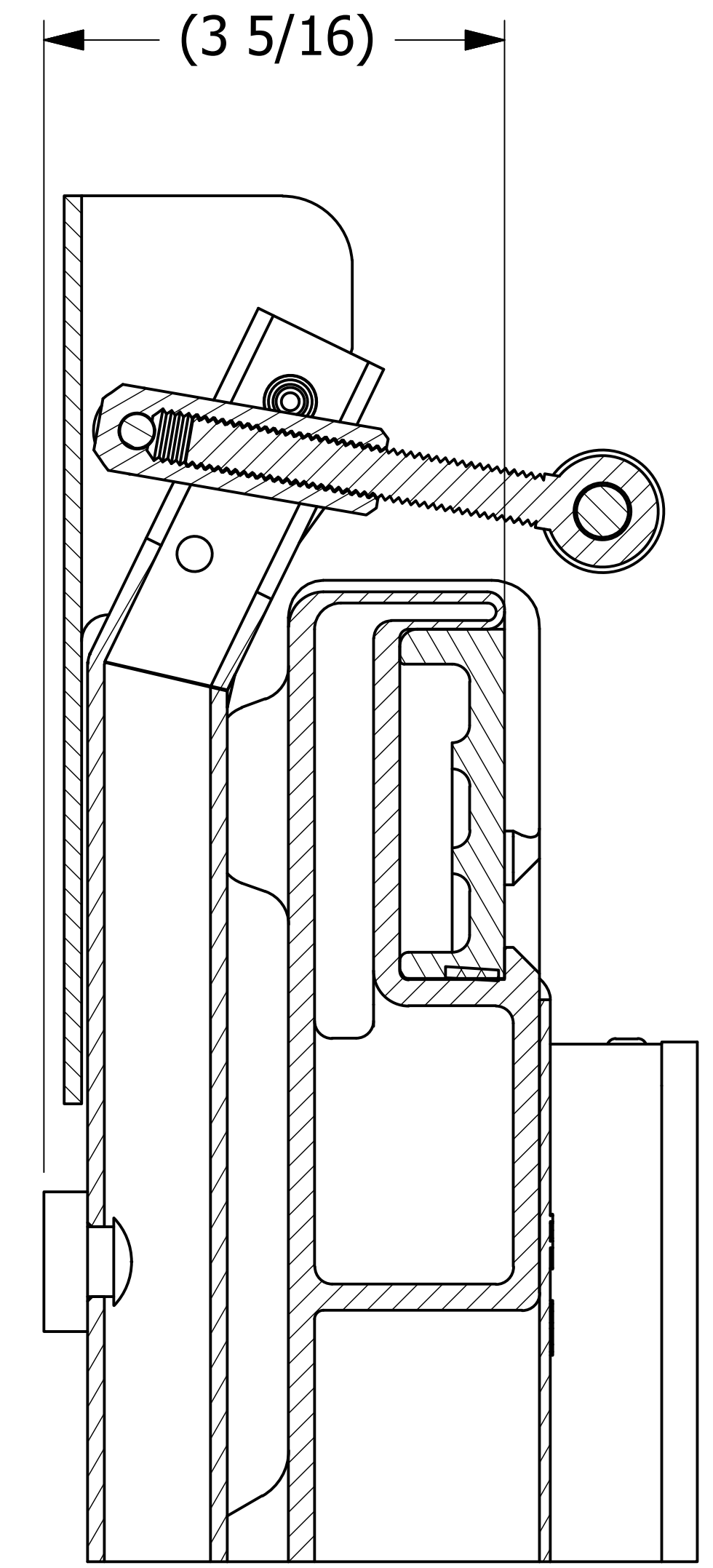
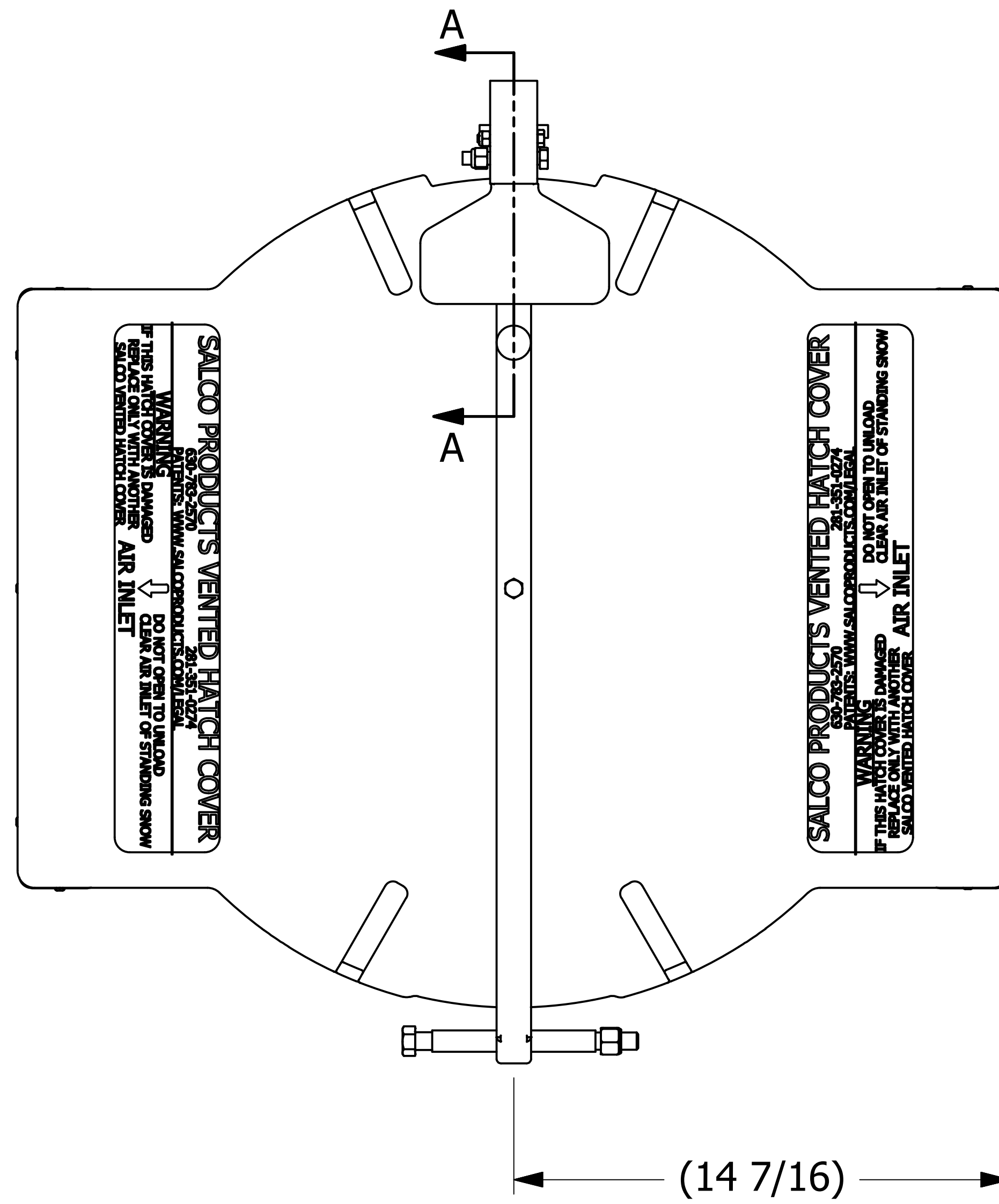
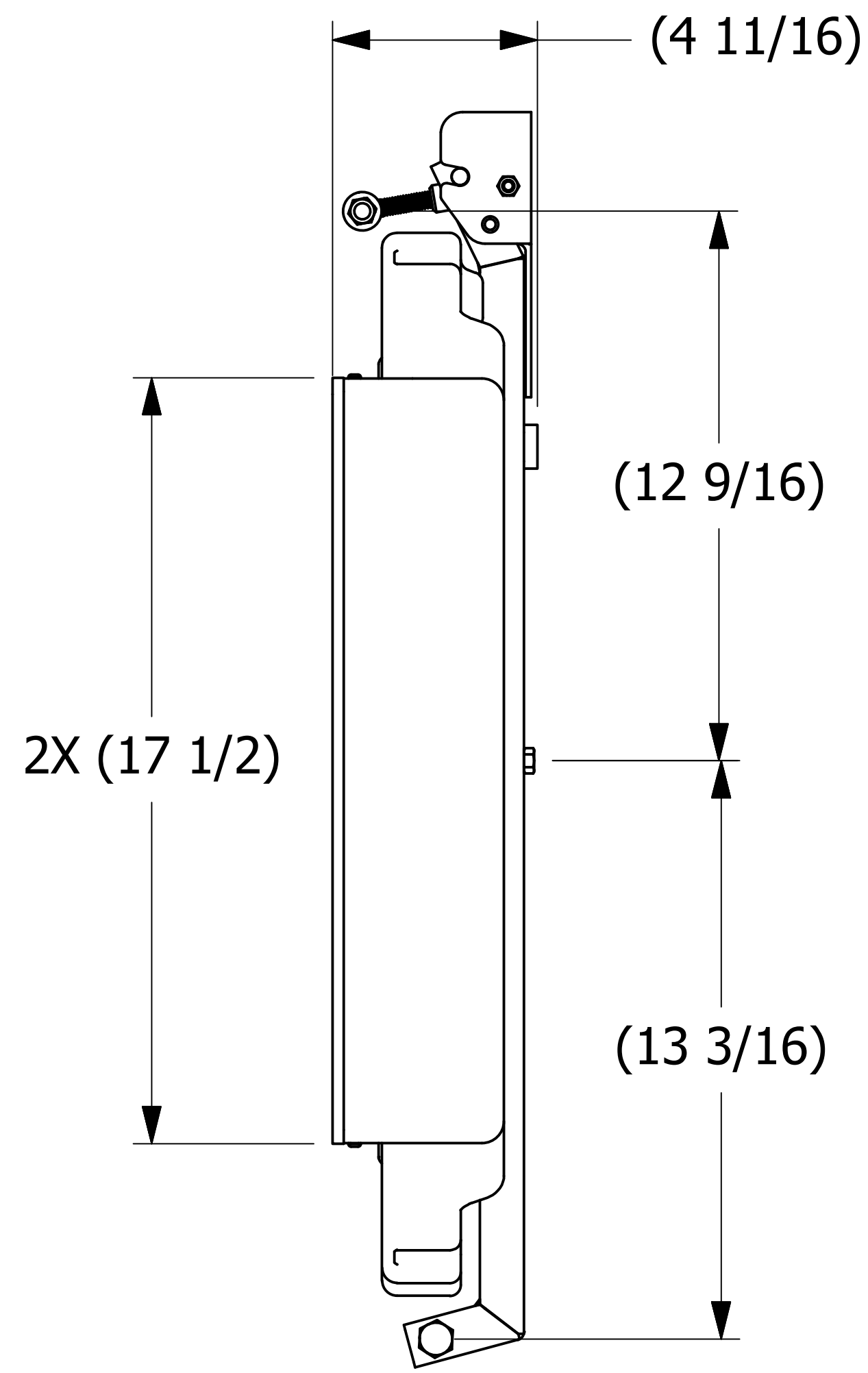
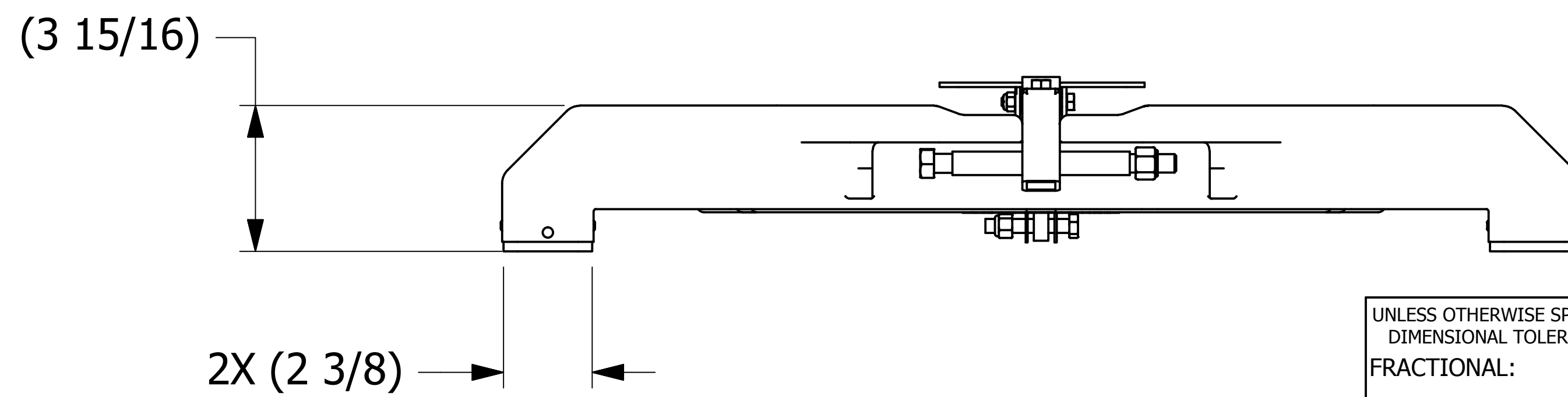


SALES DRAWING SALES DRAWING

SALES DRAWING SALES DRAWING



SECTION A-A
SCALE 1:1



UNLESS OTHERWISE SPECIFIED
DIMENSIONAL TOLERANCES
FRACTIONAL: $\pm 1/16$
X.XX: $\pm .03$
X.XXX: $\pm .015$
ANGULAR: $\pm 1^\circ$
DEBURR ALL SHARP EDGES.
ALL MACHINED SURFACES TO
HAVE A 125 RMS FINISH
UNLESS NOTED OTHERWISE.
THIRD ANGLE PROJECTION

DRAWN BY:	CHL
CHECKED BY:	PJG
PROTOTYPE BY:	CHL
PROTOTYPE DATE:	2/4/2004
APPROVED FOR PRODUCTION BY:	PJG
PRODUCTION DATE:	7/28/2010

D	WEB	2-28-14	REPLACED ATH20SCAW WITH ATH20SCAB
C	RJP	1-03-14	ROTATED ARM
B	RJP	1-03-14	ADDED SHEET 2 WITH DIMENSIONS
A	CHL	7-28-10	NEW PART ADDED TO SYSTEM
REV	BY	DATE	DESCRIPTION

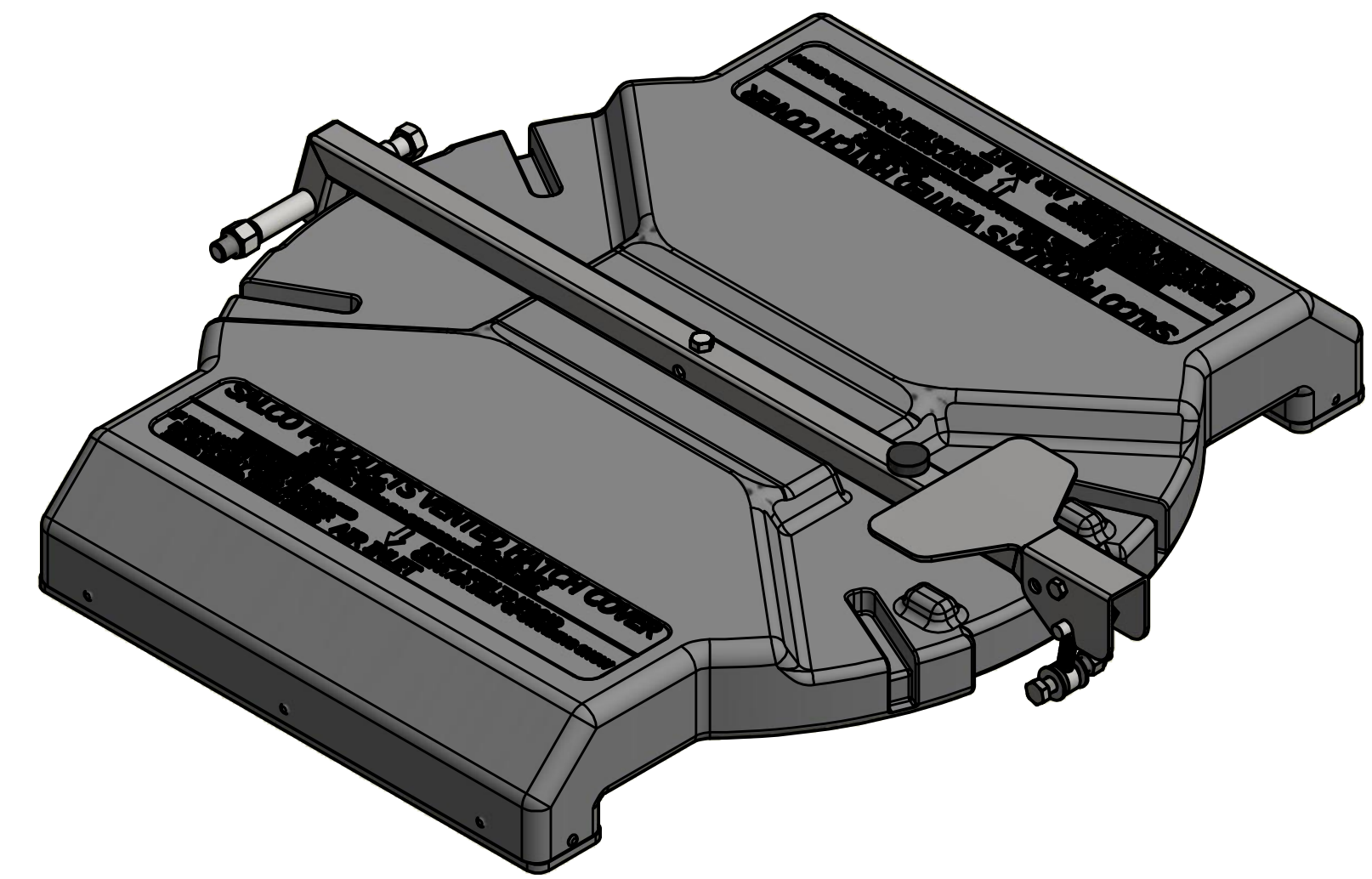
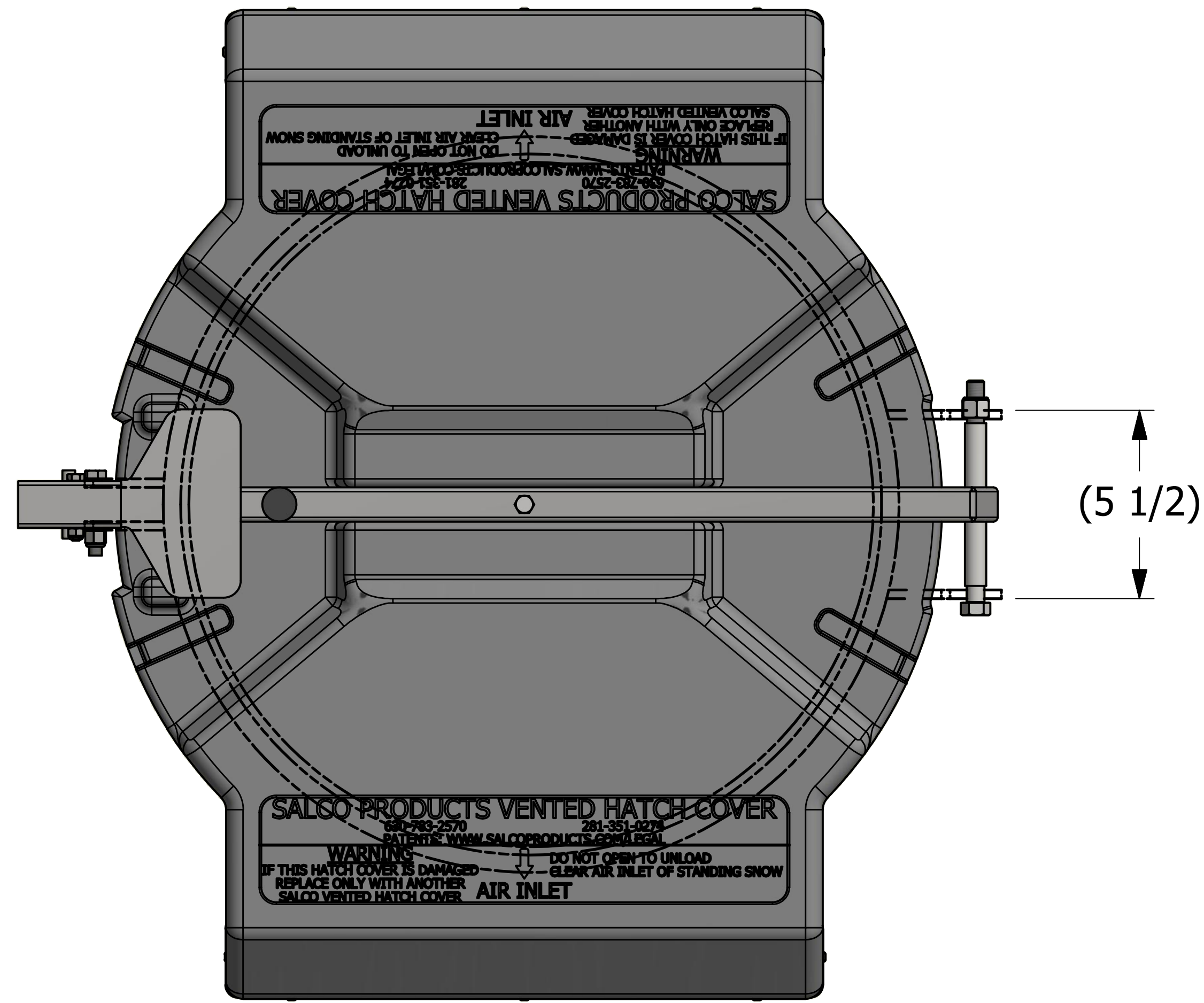


PART NAME: VENTED HATCH COVER 20"			
MATERIAL: HDPE/SS			
PROJECT #:	WAG0095	SHEET #:	1 OF 2
DRAWING #:	D18791	PART #:	VHCS98ATB
		SCALE:	1:3

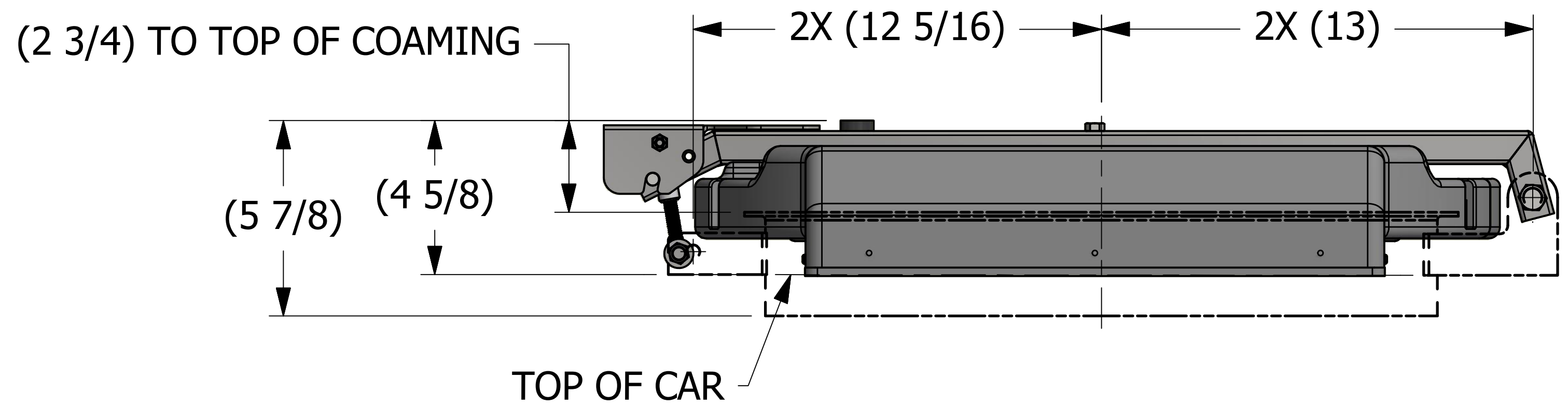
THIS PRINT, PROPERTY OF SALCO PRODUCTS INC. CONTAINS PROPRIETARY INFORMATION AND MUST NOT BE COPIED, REPRODUCED, OR USED DETRIMENTALLY TO OUR INTEREST.

SALES DRAWING SALES DRAWING

SALES DRAWING SALES DRAWING



ISOMETRIC VIEW



UNLESS OTHERWISE SPECIFIED DIMENSIONAL TOLERANCES FRACTIONAL: $\pm 1/16$ X.XX: $\pm .03$ X.XXX: $\pm .015$ ANGULAR: $\pm 1^\circ$ DEBURR ALL SHARP EDGES. ALL MACHINED SURFACES TO HAVE A 125 RMS FINISH UNLESS NOTED OTHERWISE. THIRD ANGLE PROJECTION	DRAWN BY:	CHL
	CHECKED BY:	PJG
	PROTOTYPE BY:	CHL
	PROTOTYPE DATE:	2/4/2004
	APPROVED FOR PRODUCTION BY:	PJG
PRODUCTION DATE:	7/28/2010	

REV	BY	DATE	DESCRIPTION
D	WEB	2-28-14	REPLACED ATH20SCAW WITH ATH20SCAB
C	RJP	1-03-14	ROTATED ARM
B	RJP	1-03-14	ADDED SHEET 2 WITH DIMENSIONS
A	CHL	7-28-10	NEW PART ADDED TO SYSTEM

SALCO PRODUCTS, INC.

PART NAME: VENTED HATCH COVER 20"		
MATERIAL: HDPE/SS	PROJECT #: WAG0095	SHEET #: 2 OF 2
DRAWING #: D18791	PART #: VHCS98ATB	SCALE: 1:3

THIS PRINT, PROPERTY OF SALCO PRODUCTS INC. CONTAINS PROPRIETARY INFORMATION AND MUST NOT BE COPIED, REPRODUCED, OR USED DETRIMENTALLY TO OUR INTEREST.